

## Patchcord/optical connector

# MPO-ULC Fanout cable

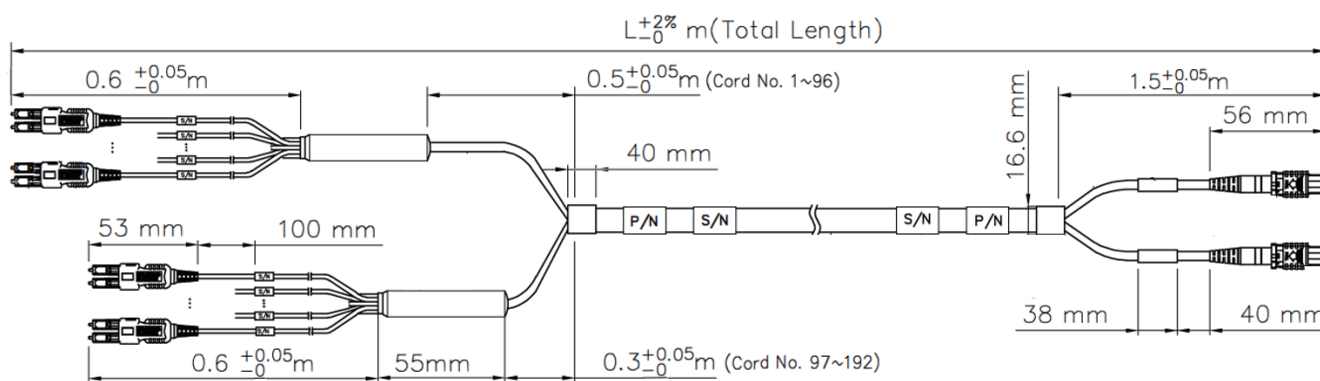
We provide the highest capacity of required cabling under many industry standards. MPO-ULC fanout cable can connect pre-terminated high fiber count cable (OSP) easily and you can save cost and time.



## Features

- >> Suitable for Pre-Terminated cable connection
- >> Easy installation
- >> High density
- >> Low insertion loss

## Product drawing outline



MPO: Telcordia GR-1435-CORE Issue2, IEC 61754-7 and TIA-604-5 interface compliant  
 ULC: Telcordia GR-326 Issue4, TIA/EIA-604-10 (FOCIS-10) and IEC 61754-20 compliant  
 All: RoHS compliant, All plastic connector materials are UL94 V-0 flammability rated

## Specification

Description	24MPO (10[N])	ULC
Polishing type	APC	UPC
Insertion Loss (Max)	$\leq \alpha L + 0.35$ dB	$\leq \alpha L + 0.5$ dB
Return Loss	$> 55$ dB	$> 55$ dB
Operating Temperature	-40°C ~ +70°C	

$\alpha = 0.4$  (dB/km): Cable attenuation at 1310nm  
 L(km): Total Length of cable